



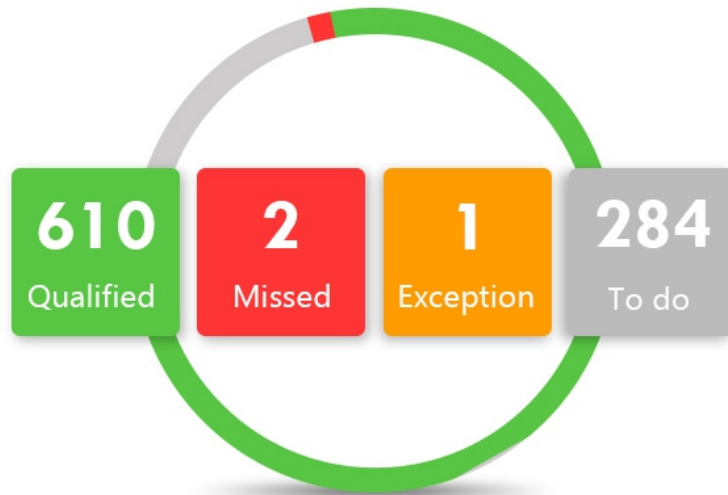
PatrolScanner-Patrolling with NFC Technology

Just be there approaching your phone
to tag the NFC checkpoint

NFC MOBILE PATROL SOLUTION 
PROFESSIONAL MANUFACTURER SINCE 2006

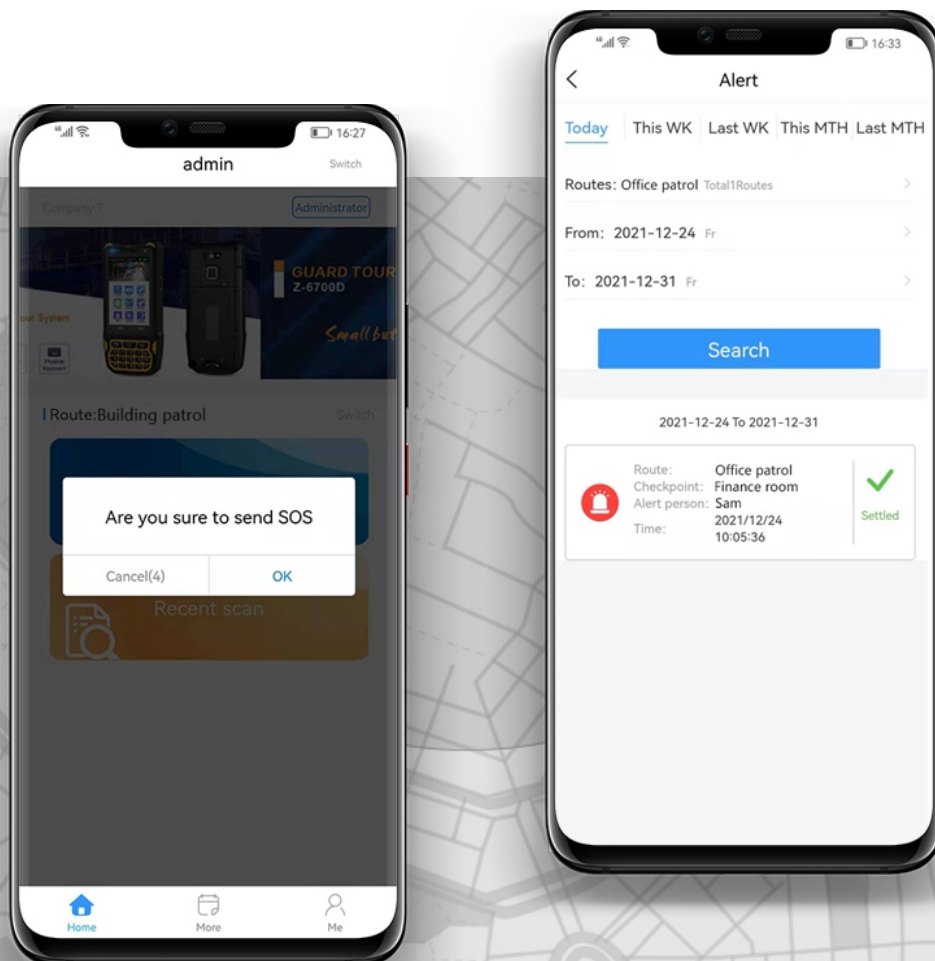
Live Data Monitoring

Real time data monitoring helps manager discover & resolve issues in time during patrols



SOS Button

SOS button will allow supervisor to take action in case the guards who is in danger and need help.

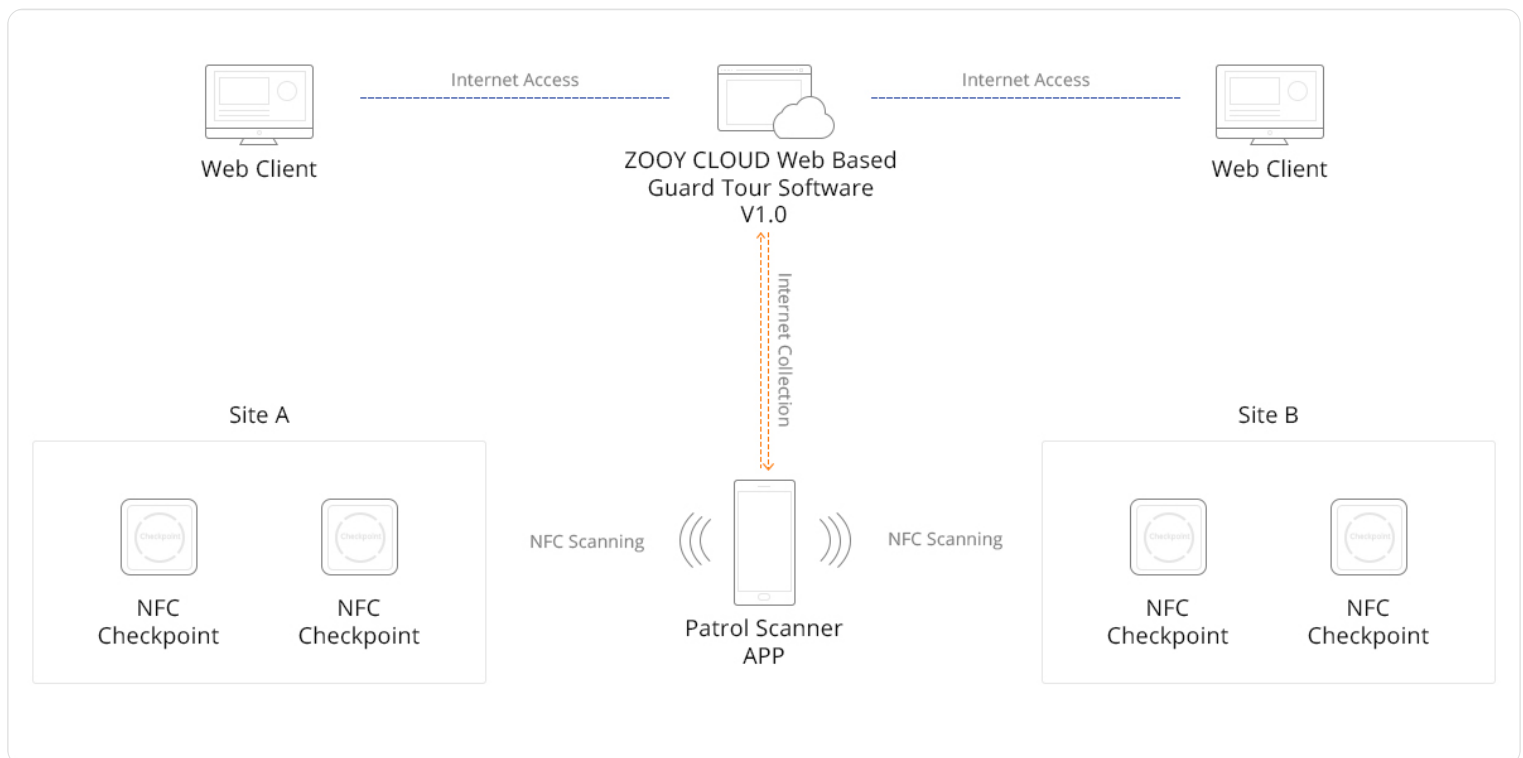


Reporting in Pictures

A picture is worth a thousand words, available in multiple pictures reporting



System Configuration

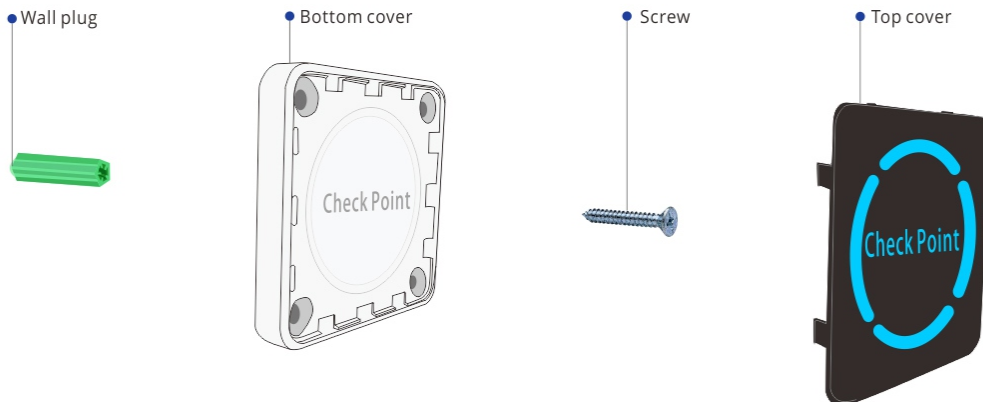


Checkpoint Detail

Working frequency	13.56MHz IC tags	Battery	None, passive tag
Material	ABS plastic material	Service life	20 years, can be scanned around 350,000 times
Color	Black & white, luminous style	Performance	Water-resistant
Dimension	70mm*70mm*10mm	Temperature	-40°C to 85°C
Net weight	33g	Installation	Glue with structural adhesive or fixed with screws



Installation Guide



Method 1

Preparation: screw driver x 1, electric drill x 1

1. Drill 6mm holes on the wall, and put the wall plug;
2. Fix the rear cover by screws;

Method 2

Preparation: silicon sealant x 1

1. Install the tag panel on the rear cover;
2. Glue the checkpoint on the wall by silicon sealant
3. Put the tag panel on the rear cover;

Software Pricing Plans

Choosing a Software Plan That's Right For You

Free Plan

\$ 0 .00/ year

5,000 logs
20 Guards
20 pcs check point
1 round everyday

[Get a demo](#)

Professional Plan

\$? / year

1,000,000 logs
Unlimited Guards
100 pcs check point
24 rounds everyday

[Get a price](#)

Contact Us

Shenzhen ZOOY Technology Development Co.,Ltd.

Address: 2F,Building No.2,Huihuayuan Industrial Park ,Donghuan 2nd Road,
Longhua New District, Shenzhen city, China

Email: info@zyactech.com

Tel: +86 0755 2163 4860

Skype: zooypatrol



WhatsApp



Wechat