



Z-5000F

FACE RECOGNITION GUARD TOUR SYSTEM
PROFESSIONAL MANUFACTURER SINCE 2006

Introduction



Key feature

- 1,000pcs smart infrared dual-camera face recognition, efficient face recognition.
- Capacitive fingerprint verification.
- 500pcs built-in event facilitate detailed data collection.
- Voice promote for successful recognition.
- Patrol data transmission in real time with TCP/IP



ZOOY Z-5000F is ZOOY first Face Recognition guard tour System that supports multi-biometric technologies, up to 1,000 face and 225 fingerprint capacity. Data collection and task assignment are transmitted via TCP/IP wire and detected the status of online terminal in real time, as well as Panic and Event information.

This product is designed for industrial environment, even users with glasses, hat or other accessories, or under strong sunlight, backlight, darkness condition, the Z-5000F still offers a smooth recognition experience, which is suitable for prison, military base, hospitals, logistics and ect.

Appearance



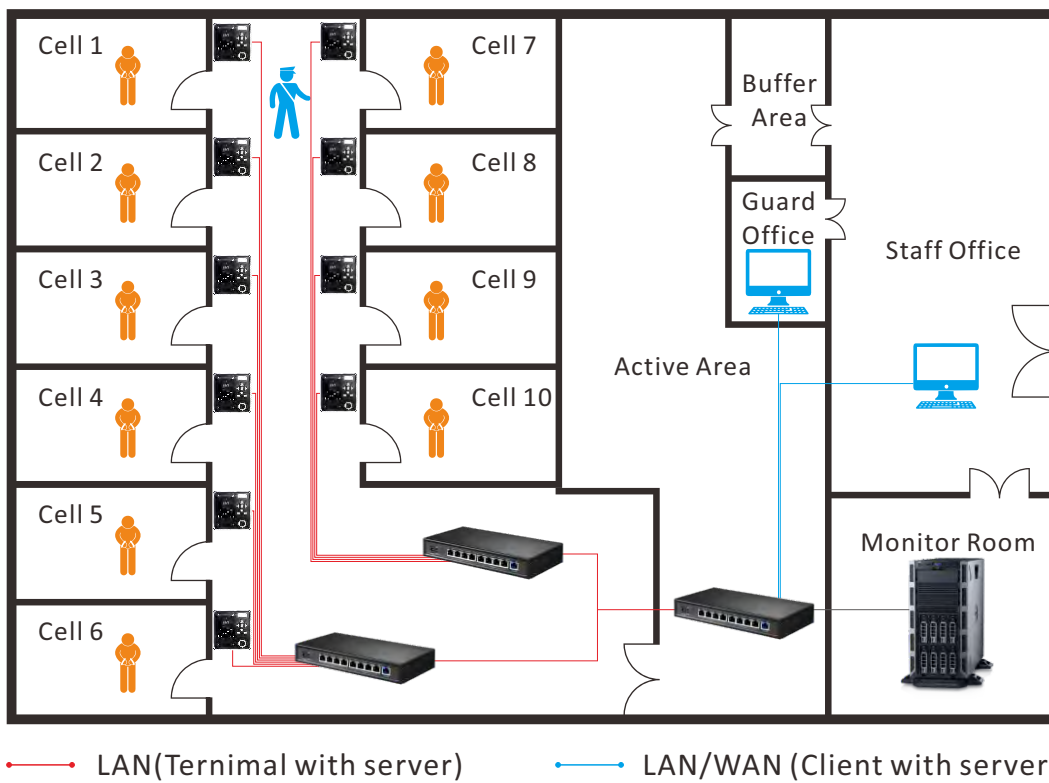
- ① Screen
- ② LED light
- ③ Key
- ④ Exit
- ⑤ Menu/OK

- ⑥ Infrared light
- ⑦ Dual-lens Camera
- ⑧ Fingerprint Sensor
- ⑨ LAN port
- ⑩ Power port

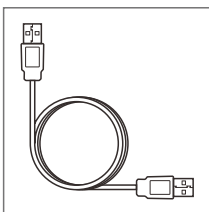
Specification

Hardware	Fingerprint	Capacitive fingerprint
	Camera	2 MP dual-lens camera
	Voice prompt	Voice prompted after successful operation
	Screen	2.8 inch TFT LCD
	Panic button	Long press to send SOS
	Button	Touch button (with backlight)
	Reading	125 kHz, EM-ID tags(Custom function)
	Power Supply	DC 12 V (without adapter, centralized power supply)
	Communication	TCP/IP
	Interface	Power, LAN
	Size	103*103*30mm
Capacity	Face Recognition	1:1
	Face capacity	1,000
	Fingerprint capacity	Manager 15 pcs, Security guard 210 pcs
	Event	500 pcs
	Reading capacity	100 thousands pcs

Work Map



Accessories



USB cable

SHENZHEN ZOORY TECHNOLOGY DEVELOPMENT CO., LTD.

Address: 2F,Building No.2,Huihuayuan Industrial Park ,Donghuan 2nd Road, Longhua New District,Shenzhen city, China

Tel: +86-755-21634860

Email: info@zyactech.com